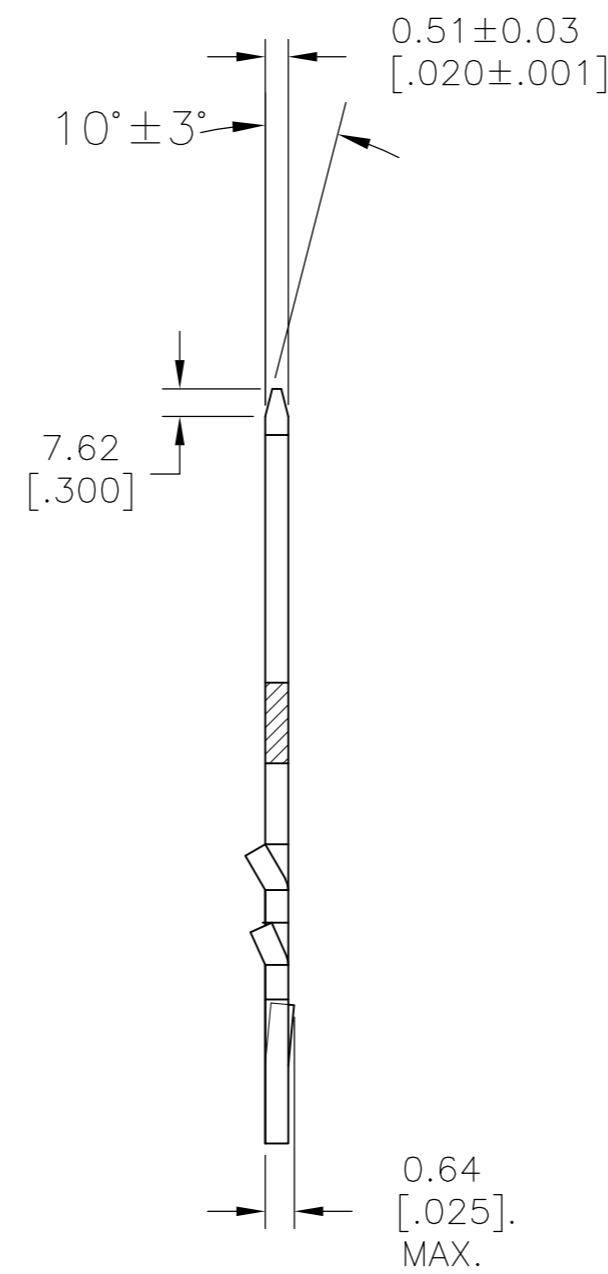
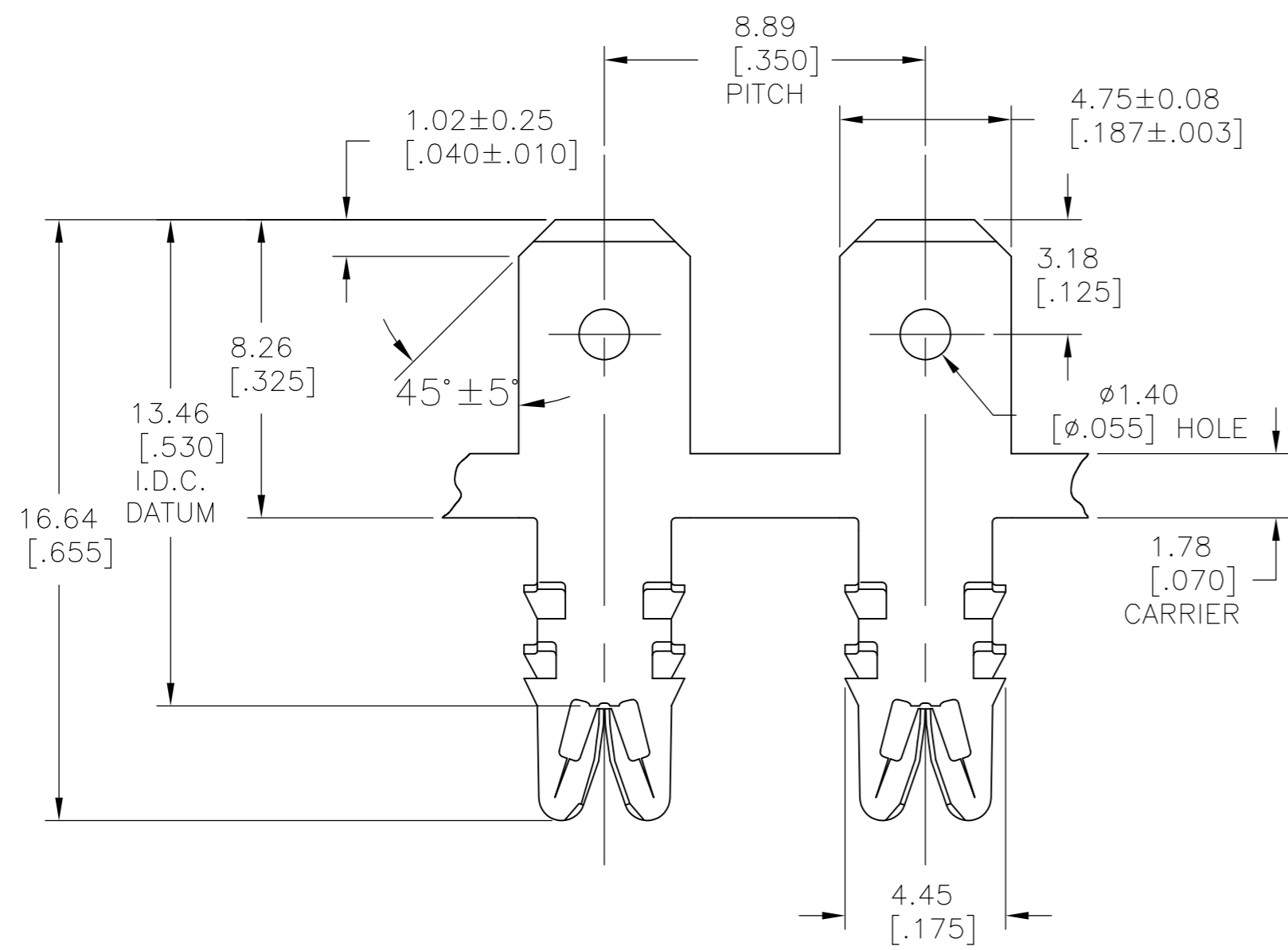
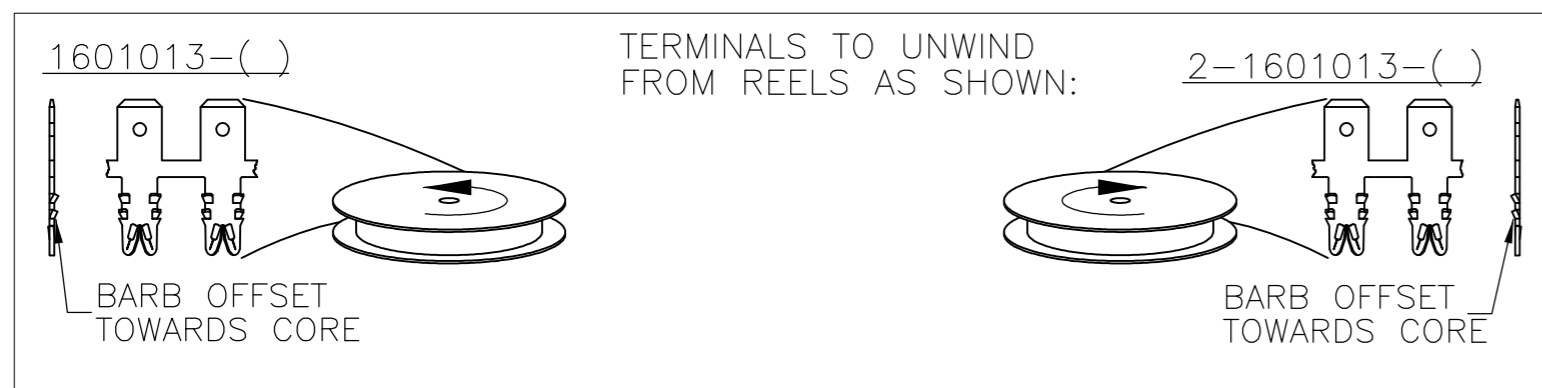
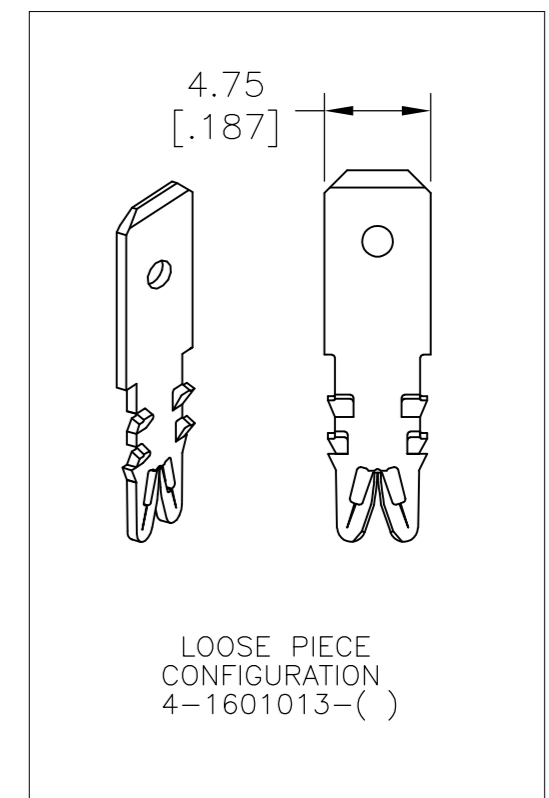


THIS DRAWING IS UNPUBLISHED. RELEASED FOR PUBLICATION
 © COPYRIGHT BY TYCO ELECTRONICS CORPORATION. ALL INTERNATIONAL RIGHTS RESERVED.

LOC	DIST	REVISIONS			
P	LTR	DESCRIPTION	DATE	DWN	APVD
AF	50				
	D3	REVISED PER ECR-10-013120	24JUN10	HMR	GJ



- 1 SPECIFICATIONS:
MAGNET WIRE #18 - #34 AWG, 1.02[.040] - 0.16[.006] DIA COPPER
OTHER SIZES MAY BE ACCOMMODATED, CONSULT TYCO ELECTRONICS
FOR APPROVAL
- 2 POCKET RECOMMENDATION: #1601425
- 3 COATED WITH VARNISH RESIST WHEN INDICATED IN TABLE BELOW.
- 4 TERMINAL TO COMPLY WITH TYCO ELECTRONICS
SPECIFICATION 114-13166 FIGURE 6.
- 5 PRELIMINARY - NOT FOR PRODUCTION.
- 6 TWO(2) TERMINALS SHOWN FOR ILLUSTRATION PURPOSES ONLY.



	-	-	-
	UNPLATED	031-029-000	4-1601013-1
	VARNISH RESIST / UNPLATED 3	-	5 2-1601013-3
OBSOLETE	PRE TIN PLATE	131-029-002	2-1601013-2
	UNPLATED	131-029-000	2-1601013-1
	UNPLATED	131-057-000	1601013-1
	FINISH	REFERENCE PART NUMBER	TE PART NUMBER
THIS DRAWING IS A CONTROLLED DOCUMENT.	DWN J.WELLER 11JAN2002 CHK M.FEHER 11JAN2002 APVD K.RANDOLPH 11JAN2002	Tyco Electronics Corporation Harrisburg, PA 17105-3608	
DIMENSIONS: mm [INCHES]	TOLERANCES UNLESS OTHERWISE SPECIFIED: 0 PLC ± - 1 PLC ± - 2 PLC ± 0.13[.005] 3 PLC ± - 4 PLC ± - ANGLES ± 2°	NAME STANDARD WIRE RANGE TO 4.75 x 0.51 MULTI-BARB TAB SIAMEZE TERMINAL	
MATERIAL BRASS, FULL HARD	FINISH SEE TABLE	WEIGHT -	RESTRICTED TO -
		SIZE A2	SCALE 6:1
		CAGE CODE 00779	SHEET 1 OF 1
		DRAWING NO. C=1601013	REV D3
		CUSTOMER DRAWING	